

SPECIFICATION

Range: **PLI OVER**
Design: **Marc Sadler**

“Snowsound Technology” sound-absorbing free-standing element.

Panel description:

Both faces with convex section 36 mm thick, consisting of an internal padding in variable density polyester fiber. The density decreases moving towards the heart of the panel, which is covered on both sides with Trevira CS® polyester fabric, solidly applied to the padding. The panel is double sided, with same characteristics on both sides. It is characterized by the rigid edge obtained by the manufacturing process itself, without any supporting and/or stiffening frame.

The panel has **Euroclass B-s2, d0** fire reaction.

The panel is **Greenguard Gold** certified, which validates its low VOC emission and its contribution to the quality of the indoor environment.

The panel is **100% recyclable** and has no detectable formaldehyde content according to UNI EN 717-2. It does not contain felts or other organic materials that are hardly recyclable.

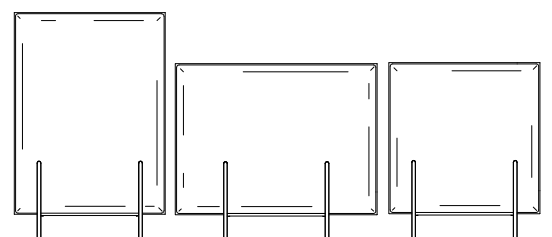
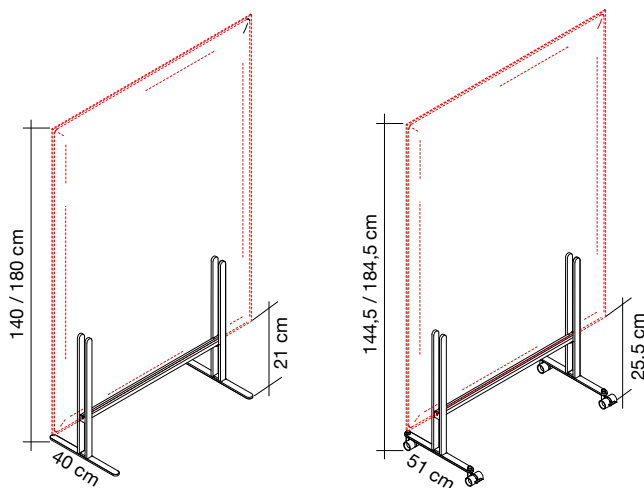
The panel has been tested in reverberation chamber according to UNI EN ISO 354 and obtained “**Acoustic Absorption Class A**”, in accordance with UNI EN ISO 11654.

Panel dimensions:
119x119 cm
159x119 cm
All formats can be used both vertically and horizontally

Bases description:

Each panel is supported by an epoxy powder coated steel structure composed of two metal sheet bases connected to two vertical elements, using M6 screws, which hold the panel itself. These vertical elements are connected to a crossbar, using M6 screws, equipped with a special slot for housing the panel, which is anchored with self-tapping screws. The bases are available in two versions: one adhering to the floor (8 mm thick) while the other features techno polymer castors (10mm thick).

Dimensions:



Available colors:

6046



Light blue

1008



Beige

8007



Dark grey

4030



Carrot orange

4027



Red

8004



Silver grey

7004



Light green

3008



Sun yellow

6075



Teal

0001



White

8002



Cool white

8033



Black



Caimi Brevetti S.p.A. reserves, by its unappealable judgment, the right to modify without prior notice the building materials, the technical and aesthetic specifications, as well as the dimensions of the products in this technical sheet, where pictures are purely as an indication.