

SPECIFICATION

Range: **PEGASO**

Design: **Angelotti & Cardile**

Codes: **BASIC MODULES**

2PI28090-AL, 2PI280120-AL, 2PI32090-AL, 2PI320120-AL, 2PI36090-AL,
2PI360120-AL

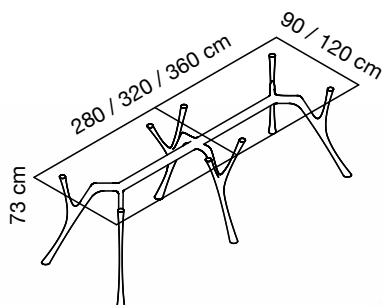
Dimensions: 280 x 90 x h 73 cm - 280 x 120 x h 73 cm
320 x 90 x h 73 cm - 320 x 120 x h 73 cm
360 x 90 x h 73 cm - 360 x 120 x h 73 cm

Description: table structure with polished aluminium finish composed of 6 cast aluminium, hand finished, monobloc legs and 2 extruded aluminium crosspieces fitted to the legs by aluminium expansion couplings and concealed steel screws underneath. 4 legs are placed at the ends of the tops, while 2 legs with a V-shaped top are placed in the middle to support and connect the two glass tops.

Steel and high-tech polymer concealed adjustable feet are fitted at the end of each leg.

2 tempered and ground glass tops, 12 mm thick, transparent finish.

Four \varnothing 65 mm tapered stainless steel plates are glued to each glass top and fastened to the structure with a self-centring system with concealed screws.



Codes: INTERMEDIATE MODULES

2PIS14090-AL, 2PIS140120-AL, 2PIS16090-AL, 2PIS160120-AL, 2PIS18090-AL,
2PIS180120-AL

Dimensions: 140 x 90 x h 73 cm - 140 x 120 x h 73 cm
160 x 90 x h 73 cm - 160 x 120 x h 73 cm
180 x 90 x h 73 cm - 180 x 120 x h 73 cm

Description: table structure with polished aluminium finish composed of 2 cast aluminium, hand finished, monobloc legs with a V-shaped top and 1 extruded aluminium crosspiece fitted to the legs by aluminium expansion couplings and concealed steel screws underneath. Steel and high-tech polymer concealed adjustable feet are fitted at the end of each leg. Tempered and ground glass top, 12 mm thick, transparent finish. Four ø 65 mm tapered stainless steel plates are glued to the glass top and fastened to the structure with a self-centring system with concealed screws. The use of intermediate modules enables endless compositions to be obtained.

