

SPECIFICATION

Range: **KOALA**

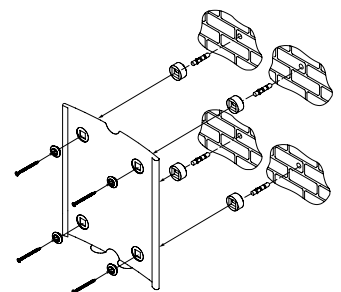
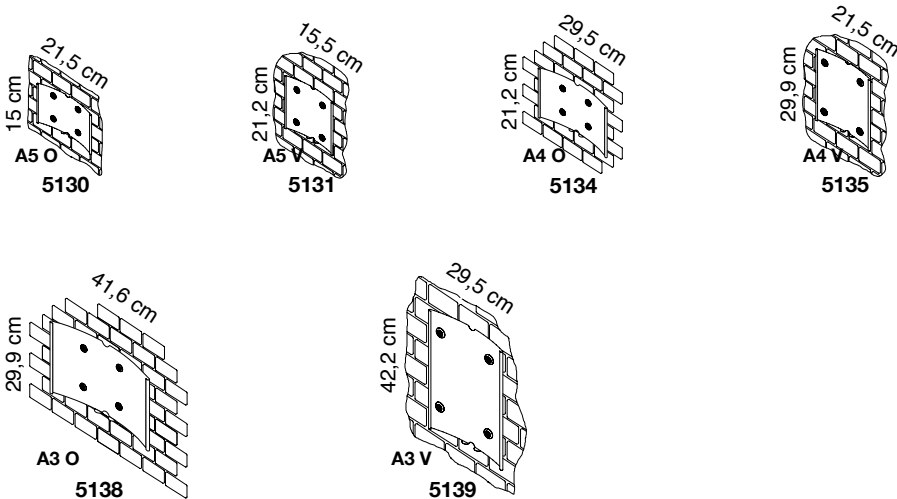
Design: **Michele De Lucchi with Sezgin Aksu**

DISPLAY UNITS

Codes: **5130, 5131, 5134, 5135, 5138, 5139**

Description: display units made from silver-grey epoxy-powder coated steel sheet, with a concave curved shape, folded at the sides to form two side guides inside which a sheet of flexible and transparent PET is slotted to protect and hold the displayed literature in place. Two sheet metal flaps on the bottom edge of the display unit prevents the displayed literature from falling out.

Wall-mounting is achieved using 4 grey high-tech polymer spacers fitted on the back of the display and 4 screws whose heads are inserted inside a high-tech polymer washer on the front of the display; the message displayed completely conceals the screws and fastener system.

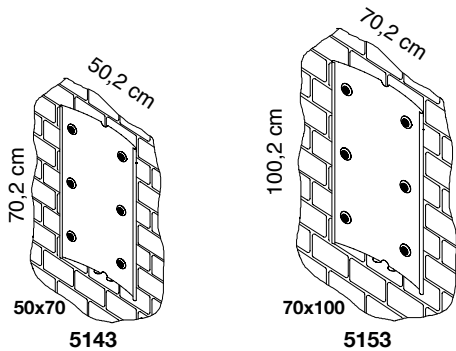


Wall-mounting with screws and spacers for codes:
5130, 5131, 5134, 5135, 5138, 5139, 5185, 5186, 5143, 5153

Codes: **5143, 5153**

Description: display units made from silver-grey epoxy-powder coated steel sheet, with a concave curved shape, folded at the sides to form two side guides inside which a sheet of flexible and transparent PET is slotted to protect and hold the displayed literature in place. Two sheet metal flaps on the bottom edge of the display unit prevents the displayed literature from falling out.

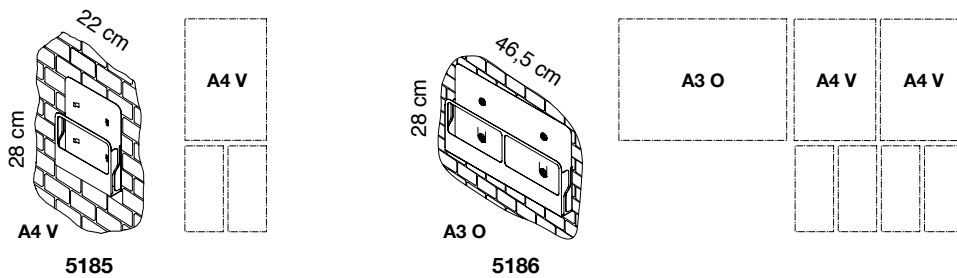
Wall-mounting is achieved using 6 grey high-tech polymer spacers fitted on the back of the display and 6 screws whose heads are inserted inside a high-tech polymer washer on the front of the display; the message displayed completely conceals the screws and fastener system.



Codes: **5185, 5186**

Description: leaflet holder made from silver grey epoxy-powder coated steel sheet with a slot-in internal pocket divider. The holder is 40 mm long.

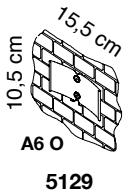
Wall-mounting is achieved using 6 grey high-tech polymer spacers fitted on the back of the leaflet holder and 6 screws whose heads are inserted inside a high-tech polymer washer on the front of the leaflet holder.



Code: **5129**

Description: display units made from silver-grey epoxy-powder coated steel sheet, with a concave curved shape, folded at the sides to form two side guides inside which a sheet of flexible and transparent PET is slotted to protect and hold the displayed literature in place. Two sheet metal flaps on the bottom edge of the display unit prevents the displayed literature from falling out.

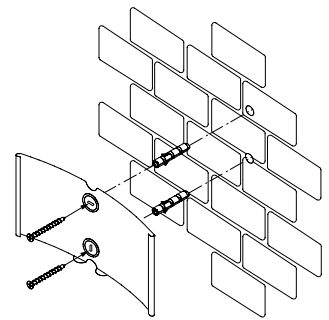
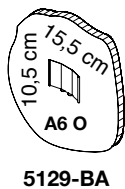
Wall-mounting is achieved using 2 screws whose head is inserted in the front of the display; the message displayed completely conceals the screws and fastener system.



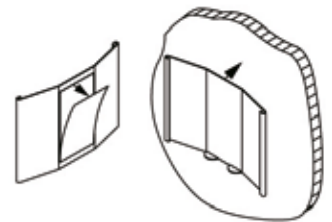
Code: **5129-BA**

Description: display units for glass partitions made from silver-grey epoxy-powder coated steel sheet, with a concave curved shape, folded at the sides to form two side guides inside which a sheet of flexible and transparent PET is slotted to protect and hold the displayed literature in place. Two sheet metal flaps on the bottom edge of the display unit prevents the displayed literature from falling out.

It is applied to the glass using double-sided adhesive on the back of the display.



Wall-mounting with screws for codes:
5129, 5304, 5305



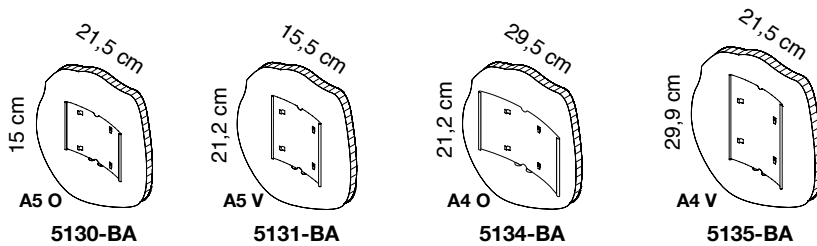
Wall-mounting with double-sided adhesive for codes:
5129-BA

Codes: **5130-BA, 5131-BA, 5134-BA, 5135-BA**

Description: display units for glass partitions made from silver-grey epoxy-powder coated steel sheet, with a concave curved shape, folded at the sides to form two side guides inside which a sheet of flexible and transparent PET is slotted to protect and hold the displayed literature in place. Two sheet metal flaps on the bottom edge of the display unit prevents the displayed literature from falling out.

It is mounted on the glass wall by means of a silver-grey epoxy-powder coated steel plate, applied to the glass using double-sided adhesive tape on the back and 4 corner hooks that are inserted into the holes on the back of the display unit.

This assembly system allows the display unit to be removed.

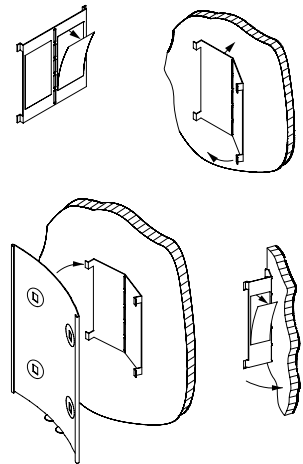
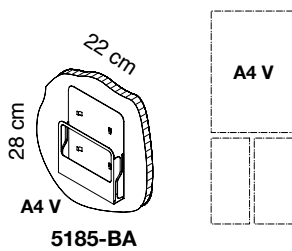


Codes: **5185-BA**

Description: leaflet holder made from silver grey epoxy-powder coated steel sheet with a slot-in internal pocket divider. The holder is 40 mm long.

It is mounted on the glass wall by means of a silver-grey epoxy-powder coated steel plate, applied to the glass using double-sided adhesive tape on the back and 4 corner hooks that are inserted into the holes on the back of the display unit.

This assembly system allows the display unit to be removed.



Wall-mounting with a steel plate with a double-sided adhesive for codes:
5130-BA, 5131-BA, 5134-BA, 5135-BA, 5185-BA