

**SPECIFICATION**

Range: **KOALA-T**

Design: **Michele De Lucchi with Sezgin Aksu**

Codes: 5130-T, 5131-T, 5134-T, 5135-T, 5138-T, 5139-T, 5143-T, 5153-T, 5185-T, 5187-T, 5130-TBA, 5131-TBA, 5134-TBA, 5135-TBA, 5138-TBA, 5139-TBA, 5143-TBA, 5153-TBA, 5175-TBO

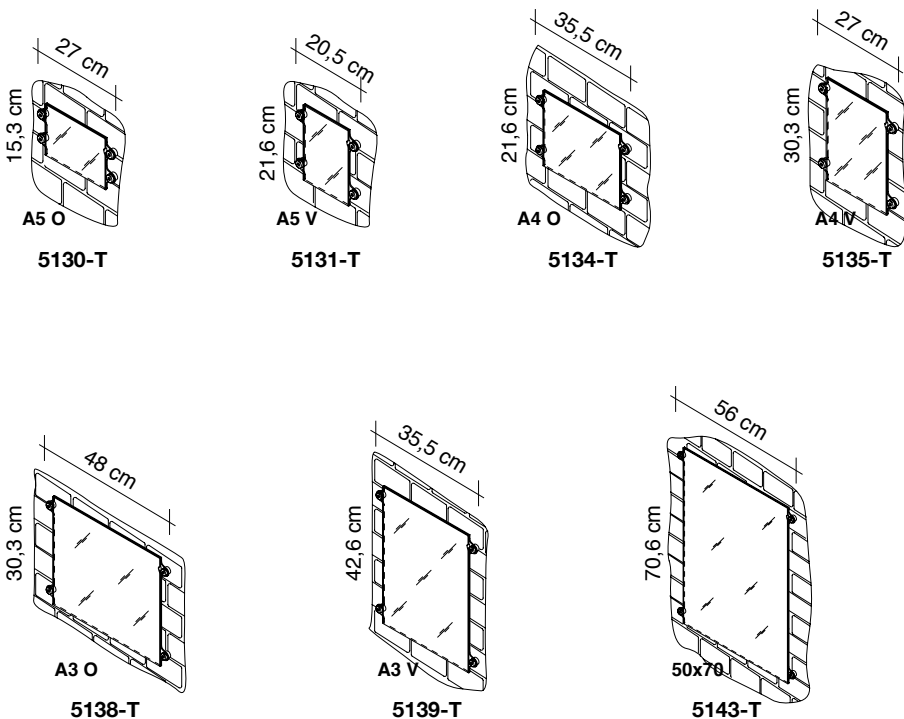
**DISPLAY UNITS**

Codes: **5130-T, 5131-T, 5134-T, 5135-T, 5138-T, 5139-T, 5143-T**

Description: display units in transparent UV-resistant methacrylate, U-shaped, with envelope type opening.

They are wall-mounted using 4 screws whose heads are inserted inside a high-tech polymer washer on the front section of the 4 spacers fitted along the sides of the display. The spacer elements are made of grey high-tech polymer, or white on demand (code 5175-TBO). The two upper spacers are fitted with a small lever making it easy to open and close the display and decide from which side to perform this operation.

The lever can be mounted in two different positions on the spacer, so the display unit can be opened from the front or the back as required, making it easier to insert or replace the literature on display.

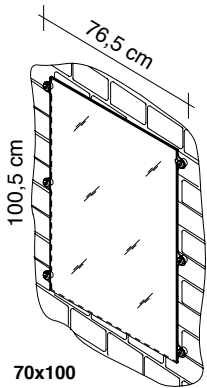


Code: **5153-T**

Description: display units in transparent UV-resistant methacrylate, U-shaped, with envelope type opening.

They are wall-mounted using 6 screws whose heads are inserted inside a high-tech polymer washer on the front section of the 6 spacers fitted along the sides of the display. The spacer elements are made of grey high-tech polymer, or white on demand (code 5175-TBO). The four upper spacers are fitted with a small lever making it easy to open and close the display and decide from which side to perform this operation.

The lever can be mounted in two different positions on the spacer, so the display unit can be opened from the front or the back as required, making it easier to insert or replace the literature on display.



70x100

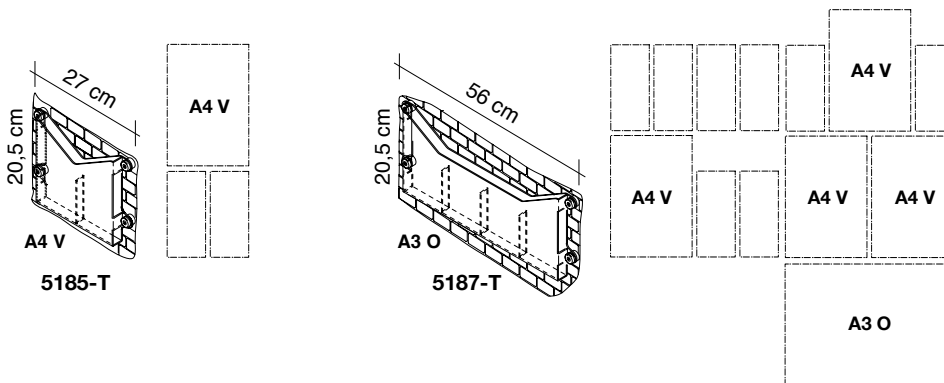
**5153-T**

Codes: **5185-T, 5187-T**

Description: brochure racks made in transparent UV-resistant methacrylate fitted with slot-in dividers inside the pocket. The holder is 27 mm long.

They are wall-mounted using 4 screws whose heads are inserted inside a high-tech polymer washer on the front section of the 4 spacers fitted along the sides of the brochure racks.

The spacers are in grey high-tech polymer or white on demand (code 5175-BO).



A4 V

**5185-T**

A3 O

**5187-T**

A4 V

A4 V

A4 V

A4 V

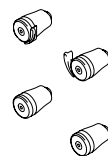
Code: **5175-TBO**

Description: set of 4 spacers for Koala-T display units and brochure racks, available in white (all display units include 4 standard grey clamps). Each spacer consists of a high-tech polymer element and a zinc-plated steel self-tapping screw whose head is inserted in a high-tech polymer washer fitted on the front of the display unit.

Optional item.



**5175-TBO**

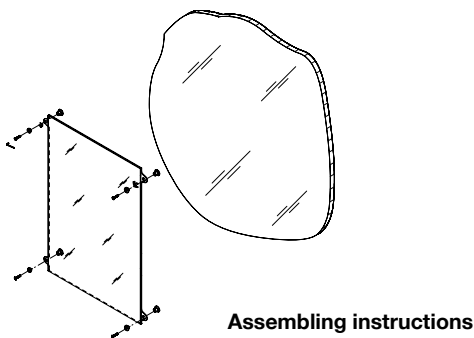
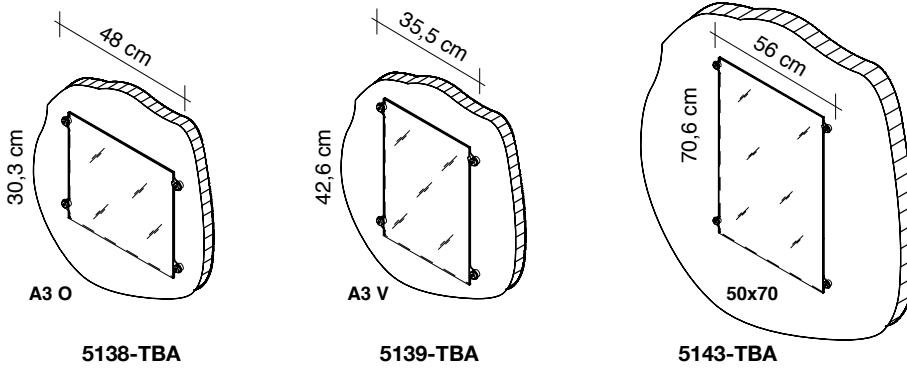
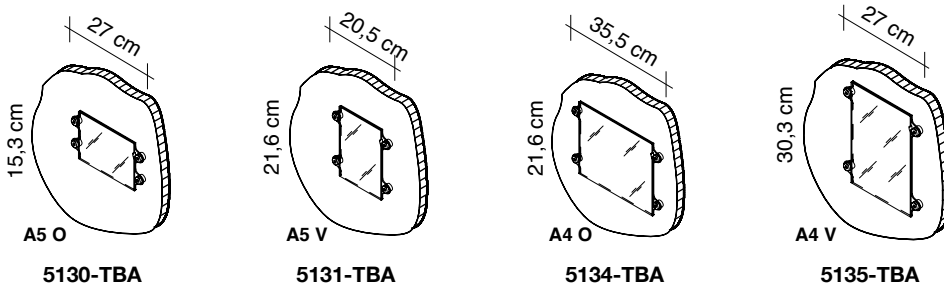


**5175-TBO**

Codes: **5130-TBA, 5131-TBA, 5134-TBA, 5135-TBA, 5138-TBA, 5139-TBA, 5143-TBA**

Description: display units in transparent UV-resistant methacrylate, U-shaped, with envelope type opening. They are wall-mounted on glass walls using 4 spacers fitted along the sides of the display, each consisting of a grey high-tech polymer washer fitted on the front, a zinc-plated screw and a nickel-plated steel base with double sided adhesive. The two upper spacers are fitted with a small lever making it easy to open and close the display and decide from which side to perform this operation.

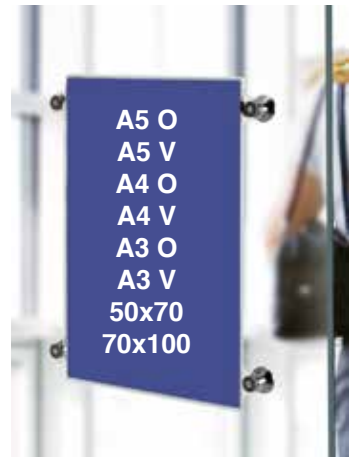
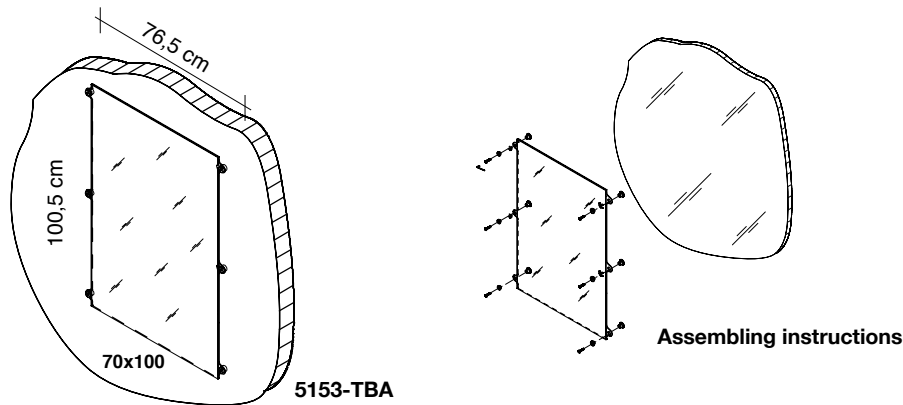
The lever can be mounted in two different positions on the spacer, so the display unit can be opened from the front or the back as required, making it easier to insert or replace the literature on display.



Code: **5153-TBA**

Description: display units in transparent UV-resistant methacrylate, U-shaped, with envelope type opening. They are wall-mounted on glass walls using 6 spacers fitted along the sides of the display, each consisting of a grey high-tech polymer washer fitted on the front, a zinc-plated screw and a nickel-plated steel base with double sided adhesive. The four upper spacers are fitted with a small lever making it easy to open and close the display and decide from which side to perform this operation.

The lever can be mounted in two different positions on the spacer, so the display unit can be opened from the front or the back as required, making it easier to insert or replace the literature on display.



Codes: **5185-TBA, 5187-TBA**

Description: brochure racks made in transparent UV-resistant methacrylate fitted with slot-in dividers inside the pocket. The holder is 27 mm long. They are wall-mounted on glass walls using 4 spacers fitted along the sides of the display, each consisting of a grey high-tech polymer washer fitted on the front, a zinc-plated screw and a nickel-plated steel base with double sided adhesive. The two upper spacers are fitted with a small lever making it easy to open and close the display and decide from which side to perform this operation.

The lever can be mounted in two different positions on the spacer, so the display unit can be opened from the front or the back as required, making it easier to insert or replace the literature on display.

