

SPECIFICATION

Range: **Jolly**

Design: **Caimi Lab**

SMALL TABLES WITH POWDER COATED FRAME AND GLASS TOP Ø 60 cm

Codes: **2JV610-TGA, 2JV610-SGA** height 105,5 cm, base Ø 50 cm, top Ø 60 cm
2JV67-TGA, 2JV67-SGA height 73,5 cm, base Ø 50 cm, top Ø 60 cm
2JV65-TGA, 2JV65-SGA height 55 cm, base Ø 50 cm, top Ø 60 cm

Description: small tables with a steel base Ø 500 mm, 5 mm thick, silver grey epoxy-powder coating, with holes in the centre to fix the stand made of Ø 50 mm silver grey epoxy-powder coated tubular steel; a Ø 600 mm circular top in tempered ground transparent or satin finish glass, to which a stainless steel plate is glued.

The plate is fastened with 3 x M8 screws to a painted steel backplate which is, in turn, fastened to the stand by 3 x M8 screws.

The base also has a fitting that allows it to be fastened to the floor.



2JV610-TGA



2JV67-TGA



2JV65-TGA



2JV610-SGA



2JV67-SGA



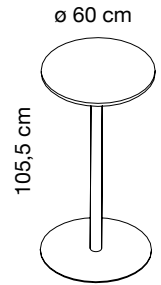
2JV65-SGA



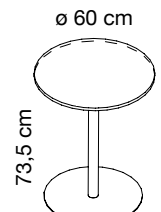
Detail of transparent glass top



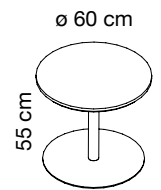
Detail of satin glass top



2JV610-TGA
2JV610-SGA



2JV67-TGA
2JV67-SGA



2JV65-TGA
2JV65-SGA

SMALL TABLES WITH CHROME-PLATED FRAME AND GLASS TOP Ø 60 cm

Codes: **2JV610-TI, 2JV610-SI**
2JV67-TI, 2JV67-SI
2JV65-TI, 2JV65-SI

height 105,5 cm, base Ø 50 cm, top Ø 60 cm
 height 73,5 cm, base Ø 50 cm, top Ø 60 cm
 height 55 cm, base Ø 50 cm, top Ø 60 cm

Description: small tables with a steel base ø 500 mm, 5 mm thick, silver grey epoxy-powder coating, covered in stainless steel, with holes in the centre to fix the stand made of ø 50 mm chrome-plated tubular steel; a circular plate in silver grey epoxy-powder coated steel fastened to the upper section of the stand and the top by M8 screws; ø 600 mm circular top in thick 12 mm "HPL" (high pressure laminates), white or grey on the outer surfaces and black interiors, with tapered edging. The top is fastened to the upper steel plate using 6 x M6 zinc-plated screws. The base also has a fitting that allows it to be fastened to the floor.



2JV610-TI



2JV67-TI



2JV65-TI



2JV610-SI



2JV67-SI



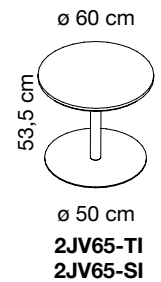
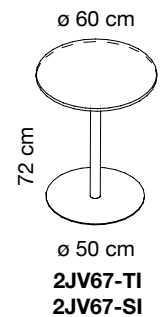
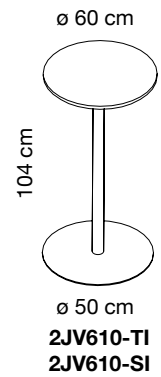
2JV65-SI



Detail of transparent glass top



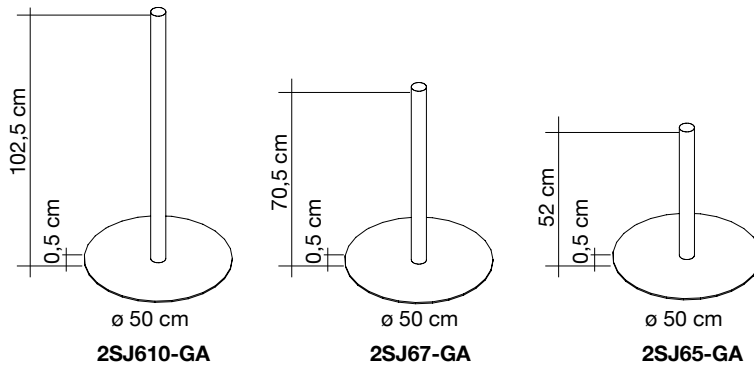
Detail of satin glass top



POWDER COATED FRAME FOR GLASS TOP Ø 60 cm

Codes: **2SJ610-GA** height 102,5 cm, base Ø 50 cm
2SJ67-GA height 70,5 cm, base Ø 50 cm
2SJ65-GA height 52 cm, base Ø 50 cm

Description: frame composed of a steel base ø 500 mm, 5 mm thick, silver grey epoxy-powder coating, with holes in the centre to fix the stand made of ø 50 mm silver grey epoxy-powder coated tubular steel. The base also has a fitting that allows it to be fastened to the floor. Top fixing plates not included.

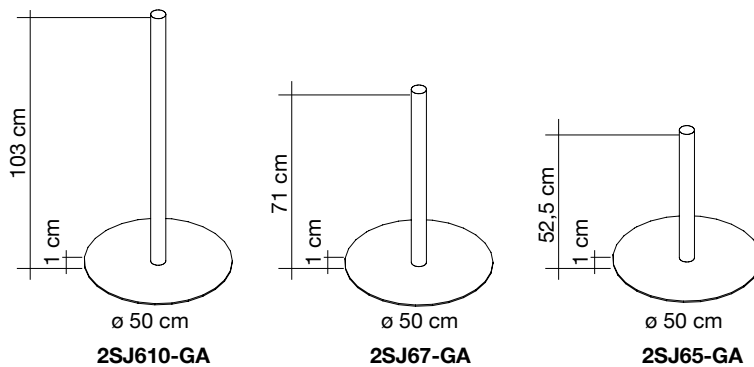


Frames for tables code: **2JV610-TGA, 2JV610-SGA, 2JV67-TGA, 2JV67-SGA, 2JV65-TGA, 2JV65-SGA**

POWDER COATED FRAME FOR GLASS TOP Ø 60 cm

Codes: **2SJ810-GA** height 103 cm, base Ø 50 cm
2SJ87-GA height 71 cm, base Ø 50 cm
2SJ85-GA height 52,5 cm, base Ø 50 cm

Description: frame composed of a steel base ø 500 mm, 10 mm thick, silver grey epoxy-powder coating, with holes in the centre to fix the stand made of ø 50 mm silver grey epoxy-powder coated tubular steel. The base also has a fitting that allows it to be fastened to the floor. Top fixing plates not included.



Frames for tables code: **2JV610-TGA, 2JV610-SGA, 2JV67-TGA, 2JV67-SGA, 2JV65-TGA, 2JV65-SGA**

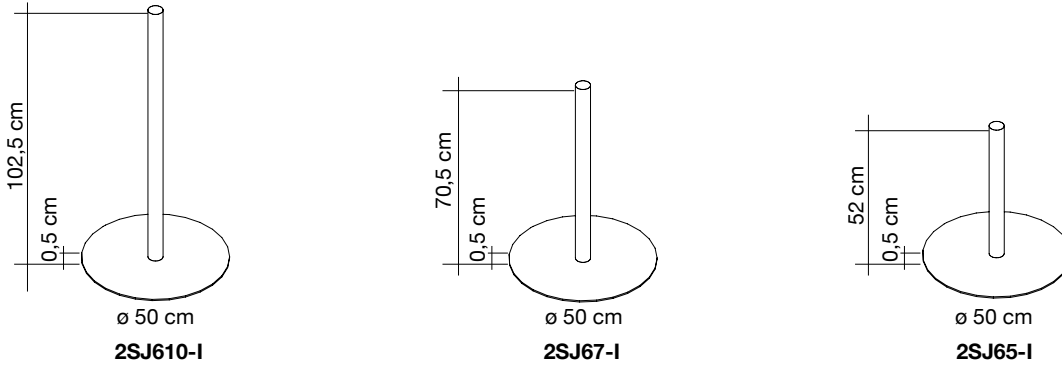
CHROME-PLATED FRAME FOR GLASS TOP Ø 60 cm

Codes: **2SJ610-I** height 102,5 cm, base Ø 50 cm
2SJ67-I height 70,5 cm, base Ø 50 cm
2SJ65-I height 52 cm, base Ø 50 cm

Description: frame composed of a steel base ø 500 mm, 5 mm thick, silver grey epoxy-powder coating, covered in stainless steel, with holes in the centre to fix the stand made of ø 50 mm chrome-plated tubular steel.

The base also has a fitting that allows it to be fastened to the floor.

Top fixing plates not included.



Frames for tables code: **2JV610-TI, 2JV610-SI, 2JV67-TI, 2JV67-SI, 2JV65-TI, 2JV65-SI**

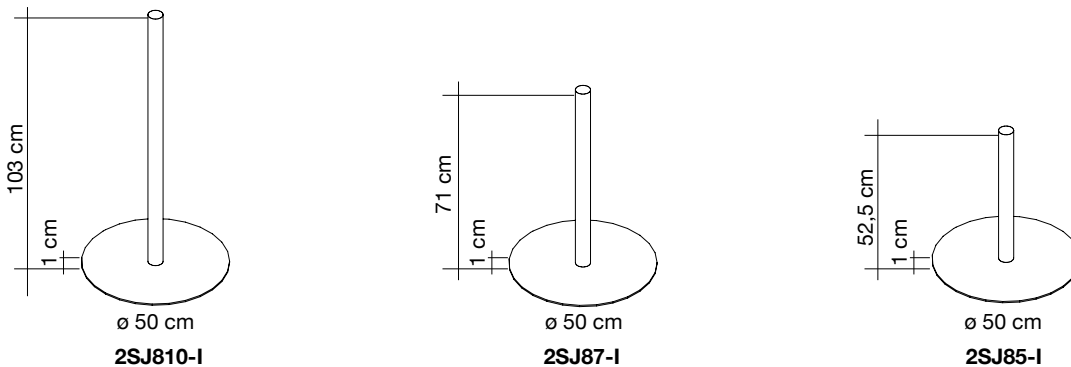
CHROME-PLATED FRAME FOR GLASS TOP Ø 60 cm

Codes: **2SJ810-I** height 103 cm, base Ø 50 cm
2SJ87-I height 71 cm, base Ø 50 cm
2SJ85-I height 52,5 cm, base Ø 50 cm

Description: frame composed of a steel base ø 500 mm, 10 mm thick, silver grey epoxy-powder coating, covered in stainless steel, with holes in the centre to fix the stand made of ø 50 mm chrome-plated tubular steel.

The base also has a fitting that allows it to be fastened to the floor.

Top fixing plates not included.

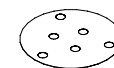
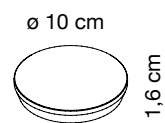


Frames for tables code: **2JV610-TI, 2JV610-SI, 2JV67-TI, 2JV67-SI, 2JV65-TI, 2JV65-SI**

TOP FIXING PLATES

Code: **2FJV100-I**

Description: stainless steel plate to glue glass top to be fastened with 3 x M8 screws to a painted steel backplate which is, in turn, to be fastened to the stand by 3 x M8 screws.



2FJV100-I
Plate to be glued to glass
tops