

SPECIFICATION

Range: **Cicerone**

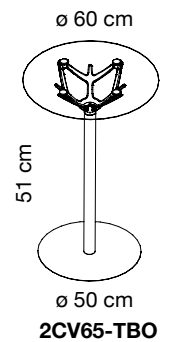
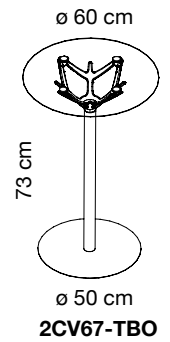
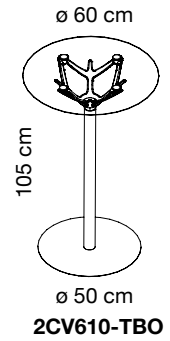
Design: **Lorenzo Stano**

SMALL TABLES WITH POWDER COATED FRAME AND GLASS TOP Ø 60 cm

Codes: **2CV610-TBO** height 105,5 cm, base Ø 50 cm, top Ø 60 cm
2CV67-TBO height 73,5 cm, base Ø 50 cm, top Ø 60 cm
2CV65-TBO height 55 cm, base Ø 50 cm, top Ø 60 cm

Descrizione: small tables with a steel base ø 500 mm, 5 mm thick, epoxy-powder coated and covered with stainless steel, with holes in the centre to fix the stand made of ø 50 mm mat white epoxy-powder coated tubular steel; supporting frame for the top made in mat white powder-coated cast aluminium fastened to the upper section of the stand by M8 screws, hidden by a powder-coated aluminium plate; a Ø 600 mm circular top in tempered ground transparent glass, to which 4 stainless steel plates are glued. The plates are fastened to the aluminum supporting frame by M6 screws.

The supporting frame of the top is equipped with 4 bag hooks.
 The base also has a fitting that allows it to be fastened to the floor.



2CV610-TBO



2CV67-TBO



2CV65-TBO

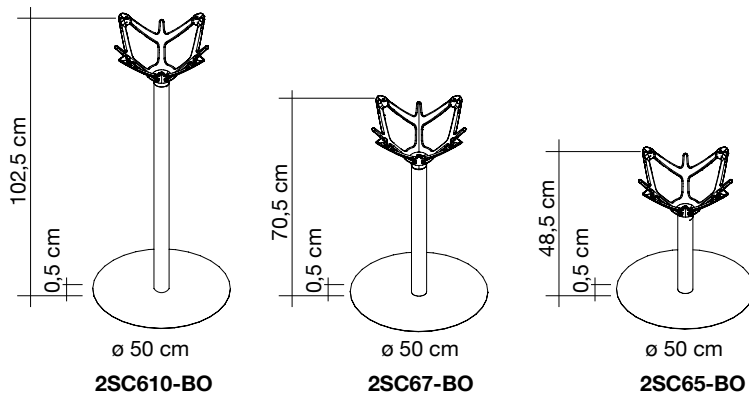


Detail of transparent glass top

POWDER COATED FRAME FOR GLASS TOP Ø 60 cm

- Codes: **2SC610-BO** height 102,5 cm, base Ø 50 cm
2SC67-BO height 70,5 cm, base Ø 50 cm
2SC65-BO height 48,5 cm, base Ø 50 cm

Description: frame composed of a steel base ø 500 mm, 5 mm thick, epoxy-powder coated and covered with stainless steel, with holes in the centre to fix the stand made of ø 50 mm mat white epoxy-powder coated tubular steel; supporting frame for the top made in mat white powder-coated cast aluminium fastened to the upper section of the stand by M8 screws, hidden by a powder-coated aluminium plate. The supporting frame of the top is equipped with 4 bag hooks. The base also has a fitting that allows it to be fastened to the floor. Glass top fixing plates not included

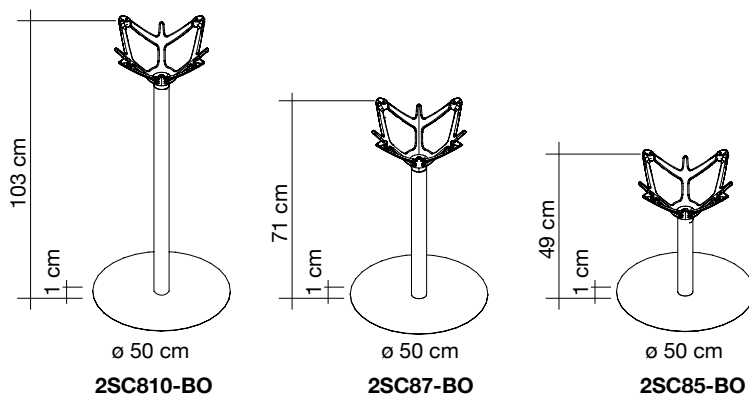


Frames for tables code **2CV610-TBO**, **2CV67-TBO**, **2CV65-TBO**

POWDER COATED FRAME FOR GLASS TOP Ø 60 cm

- Codici: **2SC810-BO** height 103 cm, base Ø 50 cm
2SC87-BO height 71 cm, base Ø 50 cm
2SC85-BO height 49 cm, base Ø 50 cm

Description: frame composed of a steel base ø 500 mm, 10 mm thick, epoxy-powder coated and covered with stainless steel, with holes in the centre to fix the stand made of ø 50 mm mat white epoxy-powder coated tubular steel; supporting frame for the top made in mat white powder-coated cast aluminium fastened to the upper section of the stand by M8 screws, hidden by a powder-coated aluminium plate. The supporting frame of the top is equipped with 4 bag hooks. The base also has a fitting that allows it to be fastened to the floor. Glass top fixing plates not included

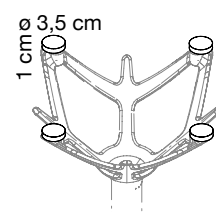


Frames for tables code **2CV610-TBO**, **2CV67-TBO**, **2CV65-TBO**

GLASS TOP FIXING PLATES

Code: **2FCV104-I**

Descrizione: stainless steel plate to glue glass top to be fastened to the aluminium supporting frame of the top through M6 screws which is, in turn, to be fastened to the stand by M8 screws.



2FCV104-I
Plates to be glued to glass tops

